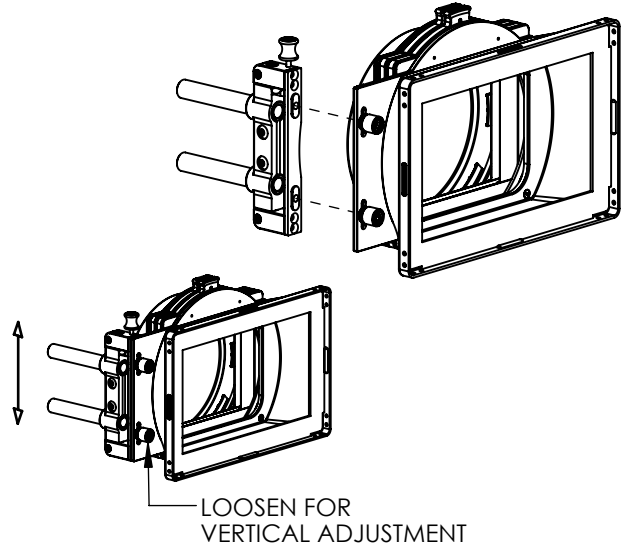




microMatteBox QUICK START GUIDE

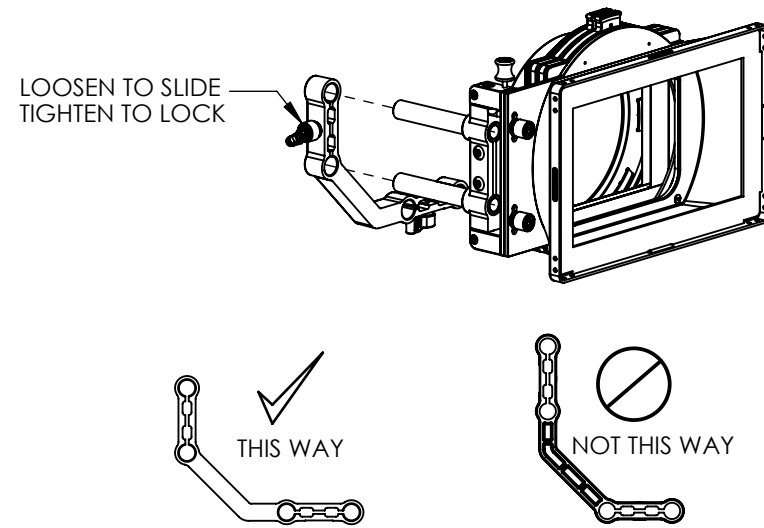
STEP 1

ATTACH HINGE TO MATTE BOX
LINE UP HINGE WITH SLOTS
AND TIGHTEN WITH THUMB SCREWS
YOU MAY LATER LOOSEN FOR VERTICAL ADJUSTMENT



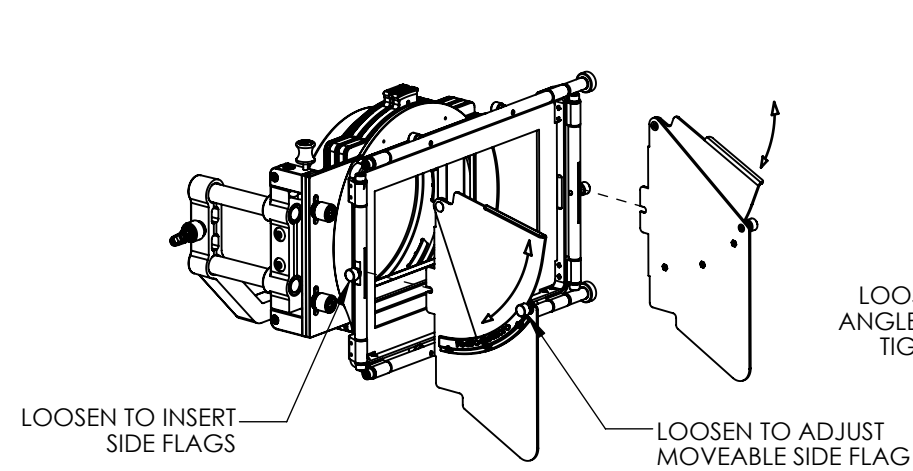
STEP 2

ATTACH SWING ARM TO HINGE
LINE UP SWING ARM WITH 4" RODS (NOTE ORIENTATION OF ARM)
LOOSEN KNOB SO THAT RODS SLIDE ONTO SWING ARM
TIGHTEN KNOB TO LOCK DOWN MATTEBOX
YOU MAY LOOSEN LATER FOR FRONT/BACK ADJUSTMENT



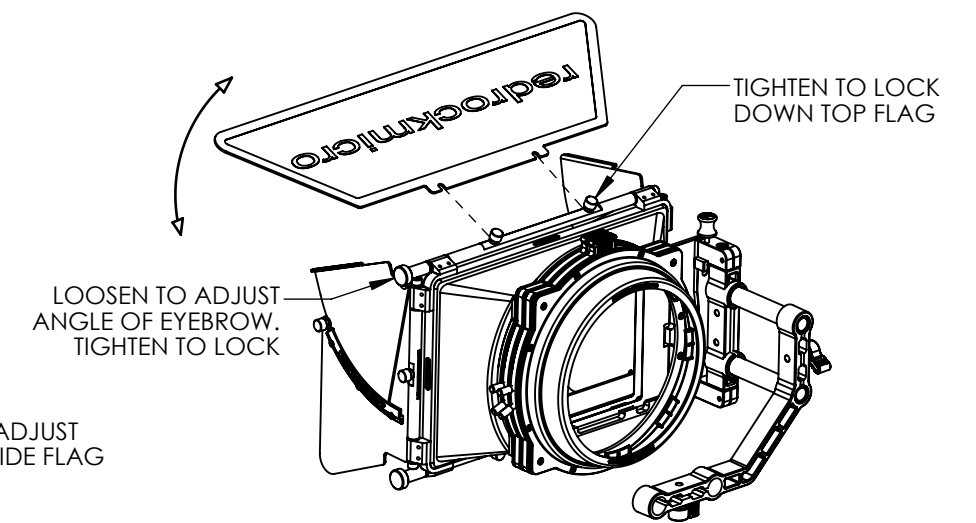
STEP 3

ATTACH SIDE FLAGS TO SIDE FLAG RODS
LOOSEN ROD THUMBSCREWS AND LINE UP TAB ON FLAG WITH SLOT IN RODS. INSERT AND TIGHTEN DOWN.
MAKE SURE THAT THE PLASTIC GUIDES ARE ON THE OUTSIDE.
YOU MAY LOOSEN THE FLAG THUMB SCREW TO ADJUST THE SIDE FLAGS



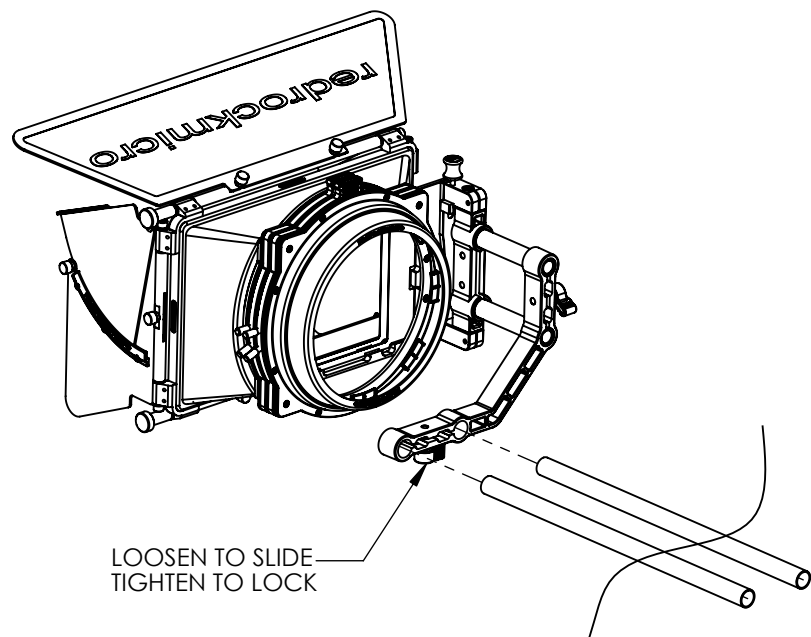
STEP 4

ATTACH TOP EYEBROW TO TOP EYEBROW ROD
LOOSEN BOTH ROD THUMBSCREWS AND LINE UP TAB ON FLAG WITH FLAT ON TOP OF ROD. INSERT AND TIGHTEN DOWN.
MAKE SURE THAT "REDROCK" FACES OUTWARD.



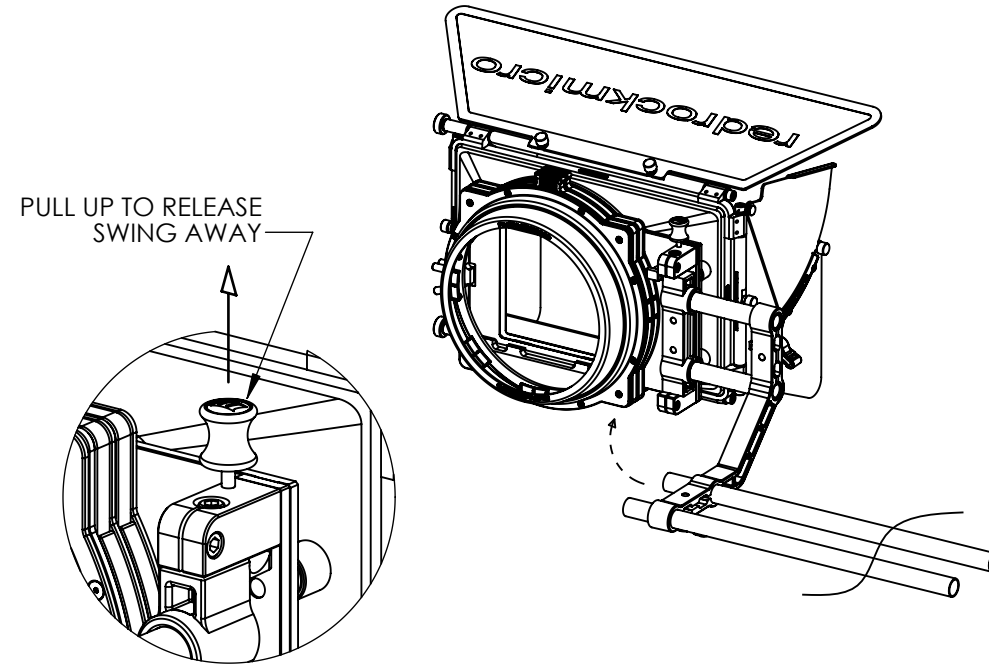
STEP 5

ATTACH MATTEBOX TO IRIS RODS
LINE UP SWING ARM WITH IRIS RODS.
LOOSEN KNOBS ON SWING ARM SO THAT RODS SLIDE INTO SWING ARM
TIGHTEN KNOB TO LOCK DOWN MATTEBOX



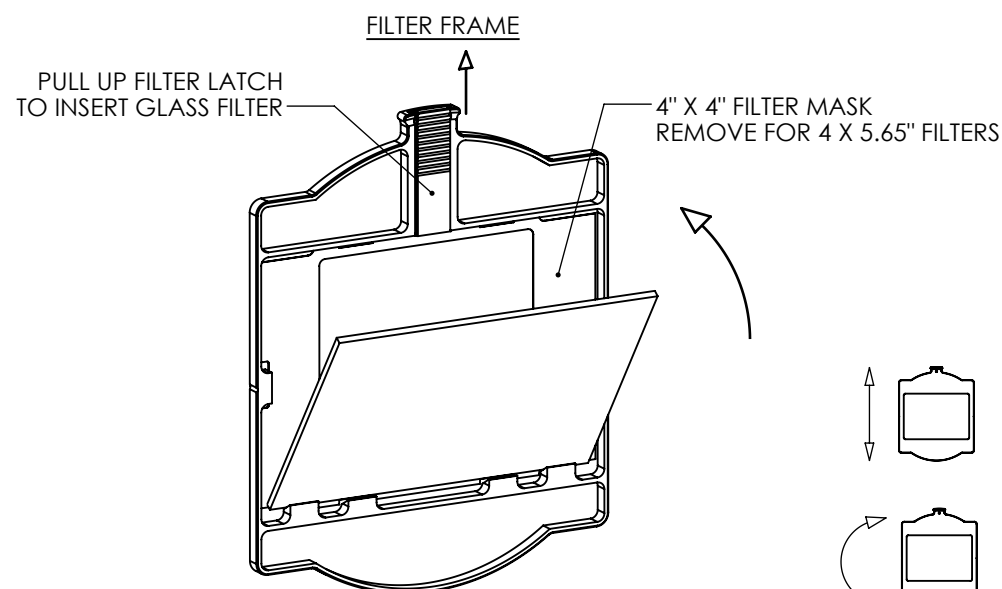
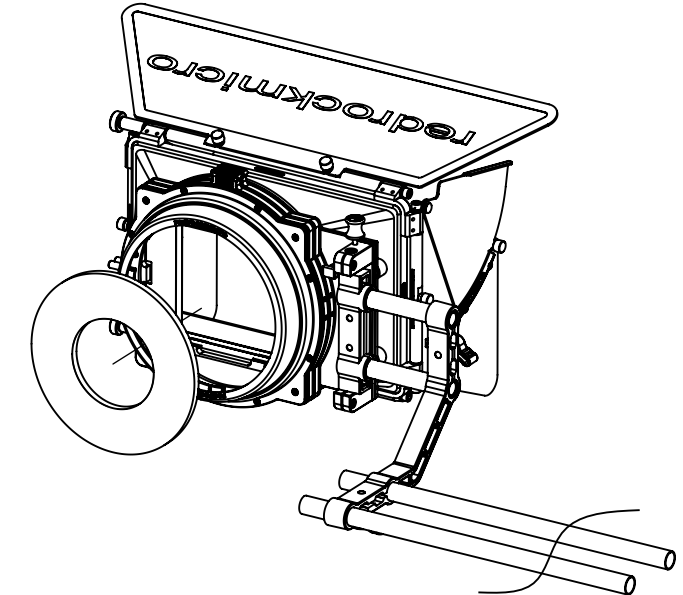
STEP 6

TO SWING MATTEBOX OPEN, PULL UP ON HINGE PLUNGER
AND SWING MATTEBOX OPEN.
TO CLOSE, JUST SWING MATTEBOX CLOSED, THE PLUNGER
WILL RISE UP AND LOCK IN PLACE BY ITSELF.

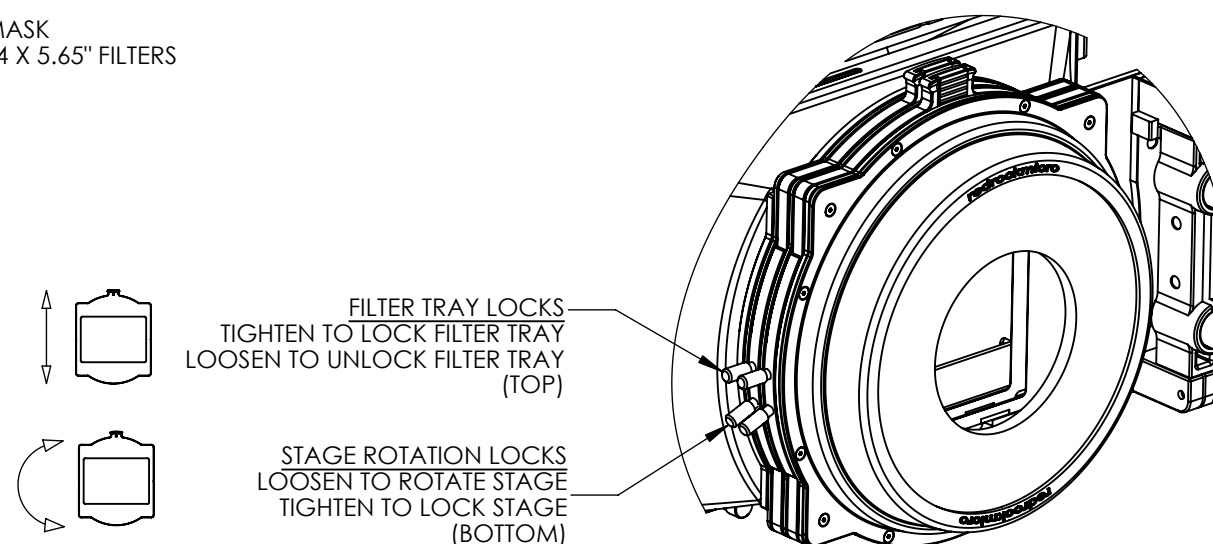


STEP 7

INSTALL DESIRED DONUT. DEPENDING ON YOUR LENS,
INSTALL EITHER THE 2", 2 1/2", 3" OR 4" DONUT.
FIT THE DONUT JUST INSIDE THE REAR OPENING, RETAINED BY
THE (8) TABS.



FILTER LOCKS AND STAGE LOCKS



Thank you for purchasing the microMatteBox. We sincerely hope it exceeds your expectations for price/performance in cinema-grade accessories.

Getting started with your new microMatteBox

We have created a central resource for tutorials, help, and community to help you get the most out of your microMatteBox. Please visit



<http://start.redrockmicro.com>

Tutorials, forums, customer support

create the cinema experience